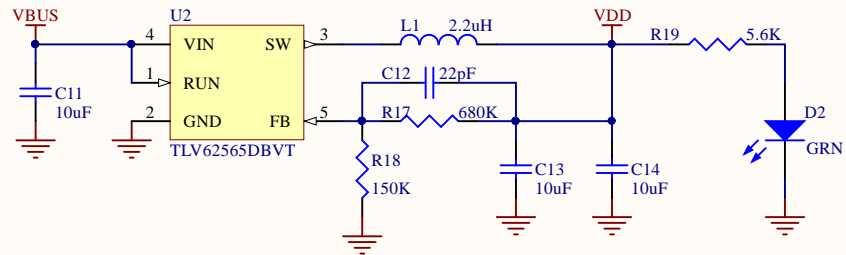
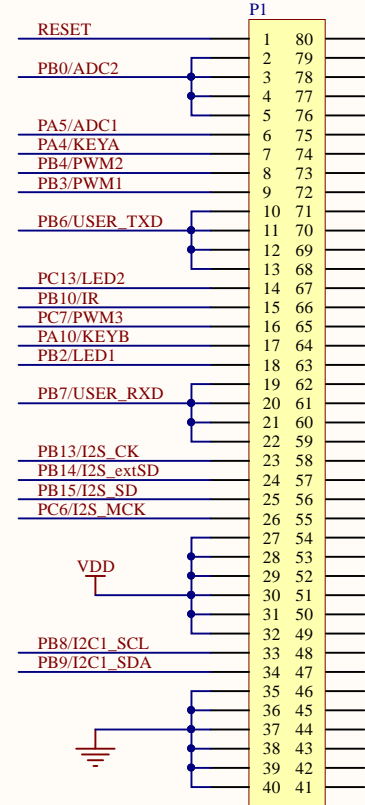


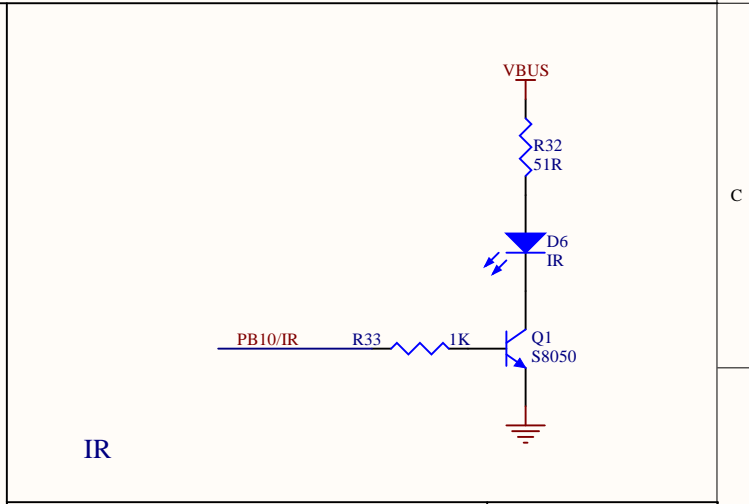
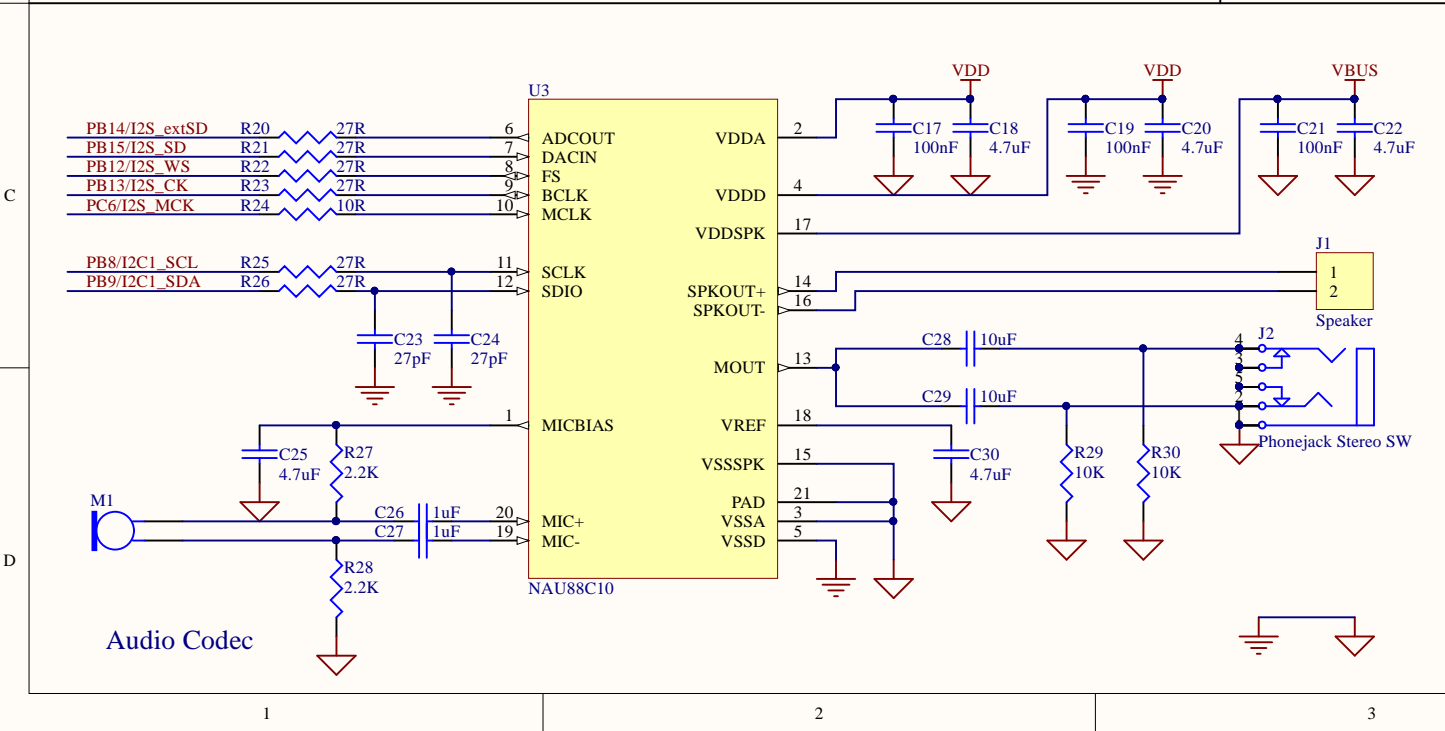
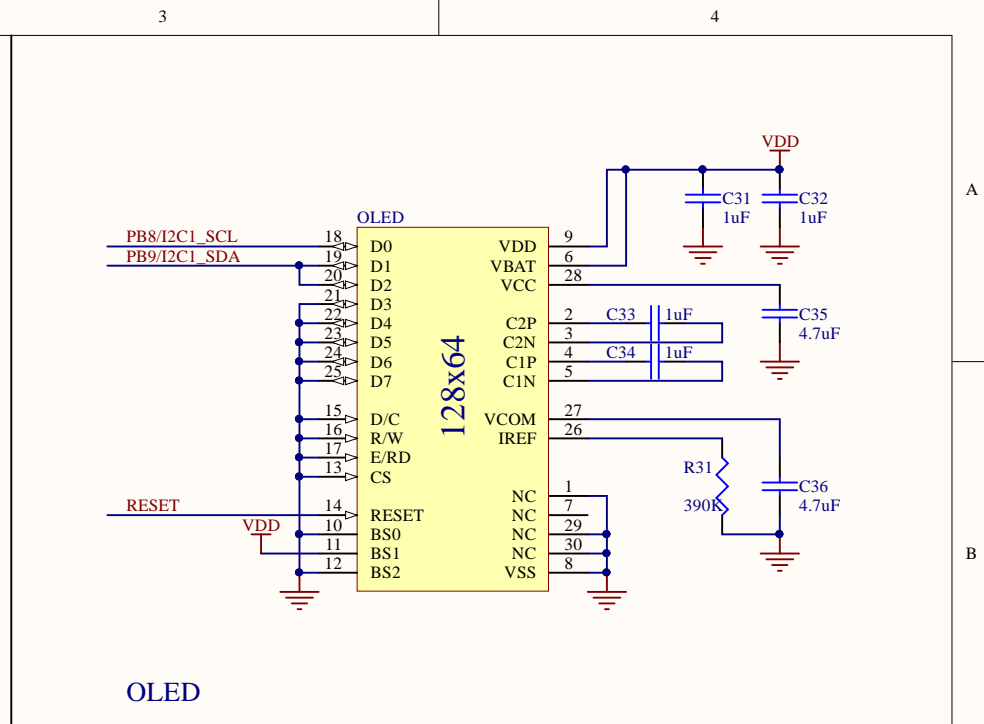
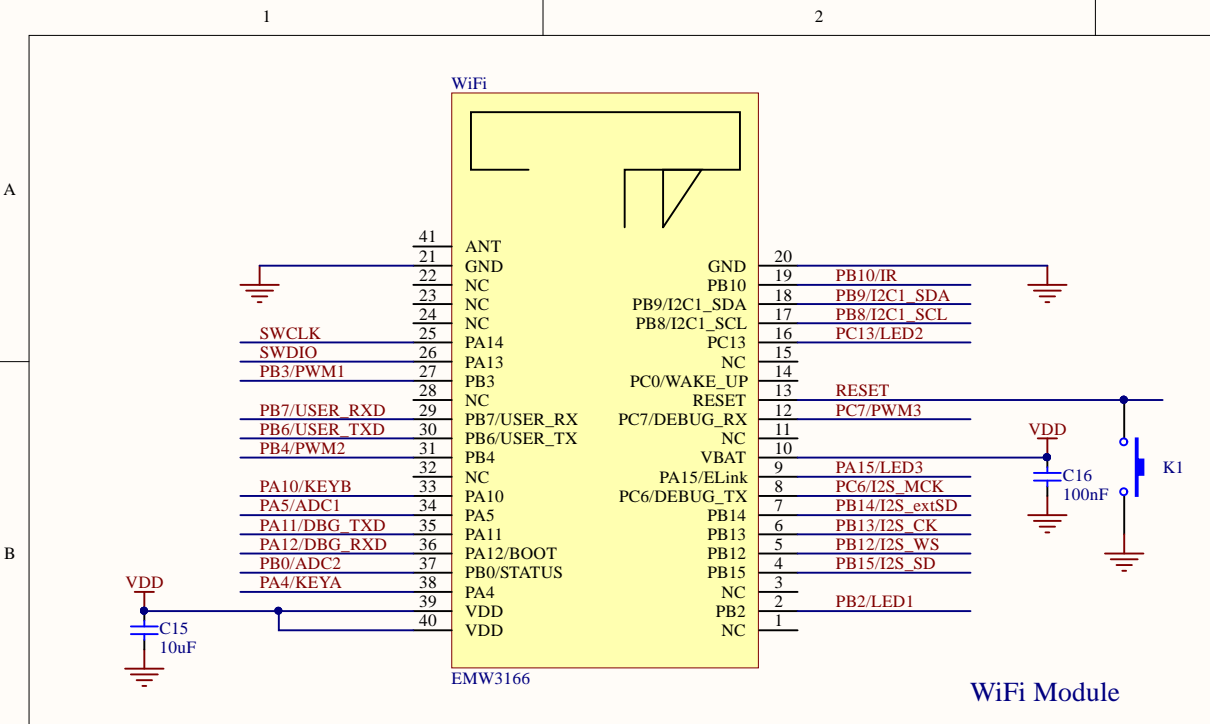
DAP Link



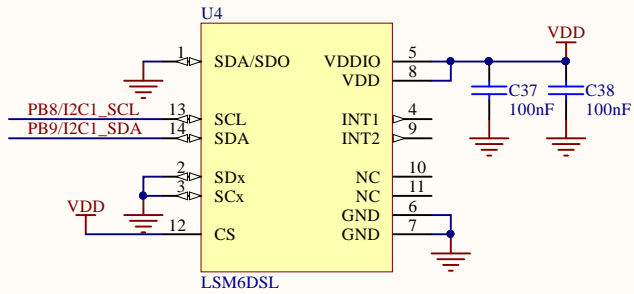
Power



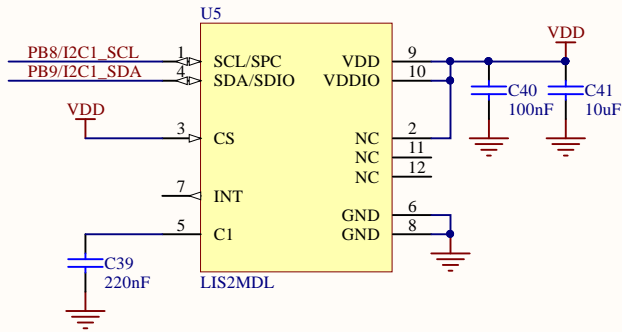
Title: AZ3166		MXCHIP® 上海庆科信息技术有限公司	
Designer: Holly Hao	Verifier: Ivan Jiang		Shanghai MXCHIP Info Tech Co., Ltd.
Approver: Jianhua Shen	Size: A4	Ver: V1.0	
Data: 4/1/2017	Sheets: 1 of 3	Secrecy: Y	



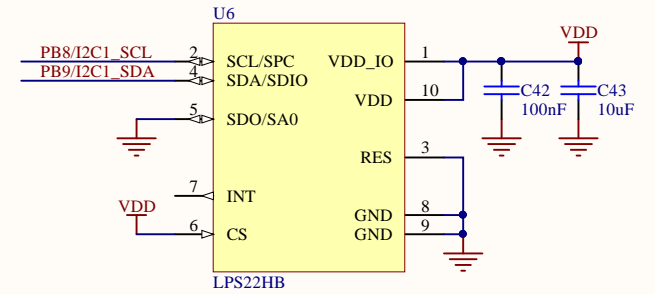
Title: AZ3166		MXCHIP® 上海庆科信息技术有限公司		
Designer: Holly Hao	Verifier: Ivan Jiang	Shanghai MXCHIP Info Tech Co., Ltd.		
Approver: Jianhua Shen	Size: A4			Ver: V1.0
Data: 4/1/2017	Sheets: 2 of 3			Secrecy: Y



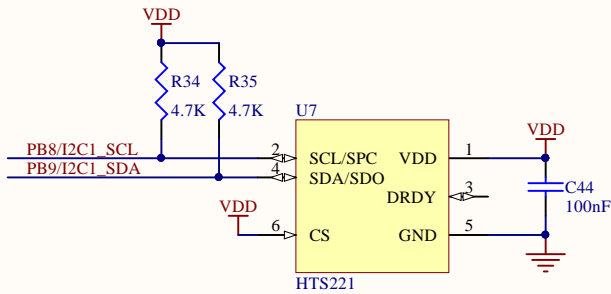
Accelerometer and Gyroscope



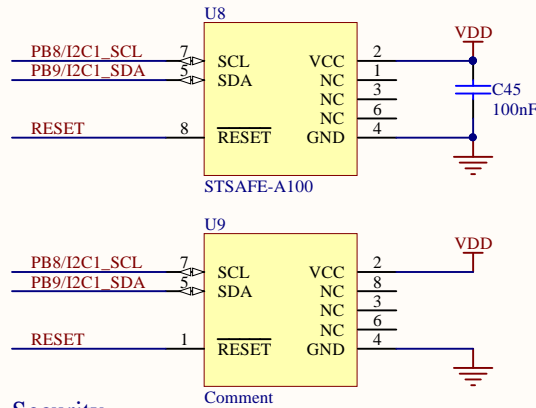
Magnetometer



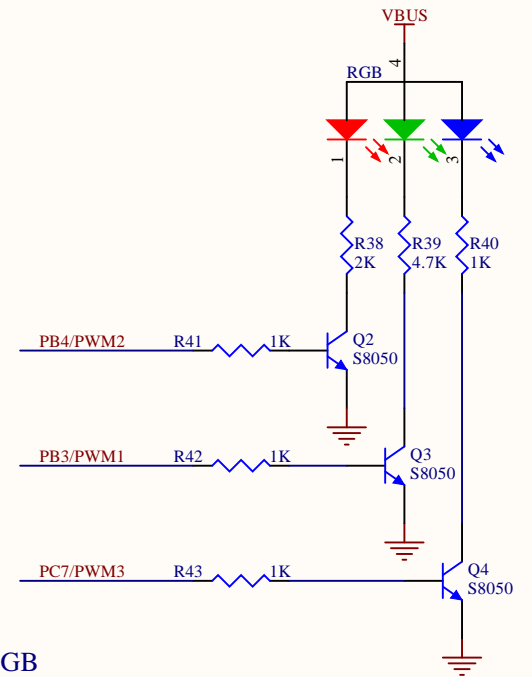
Pressure



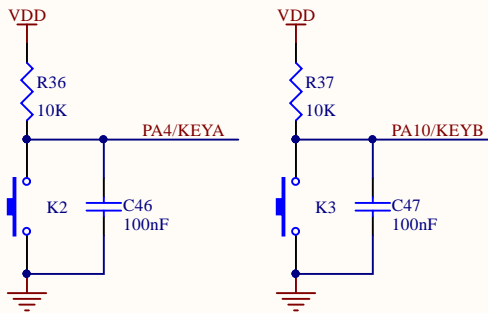
Humidity and Temperature



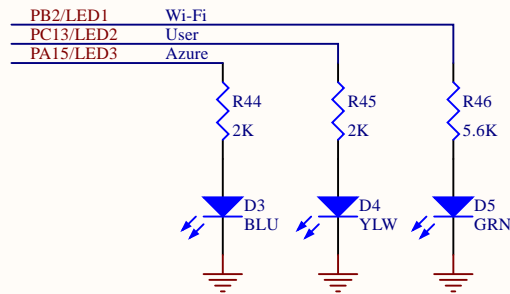
Security



RGB



KEYs



LEDs

Title: **AZ3166**

MXCHIP
上海庆科信息技术有限公司

Designer: Holly Hao

Verifier: Ivan Jiang

Approver: Jianhua Shen

Size: A4

Ver: V1.0

Data: 4/1/2017

Sheets: 3 of 3

Secrecy: Y

Shanghai MXCHIP
Info Tech Co., Ltd.